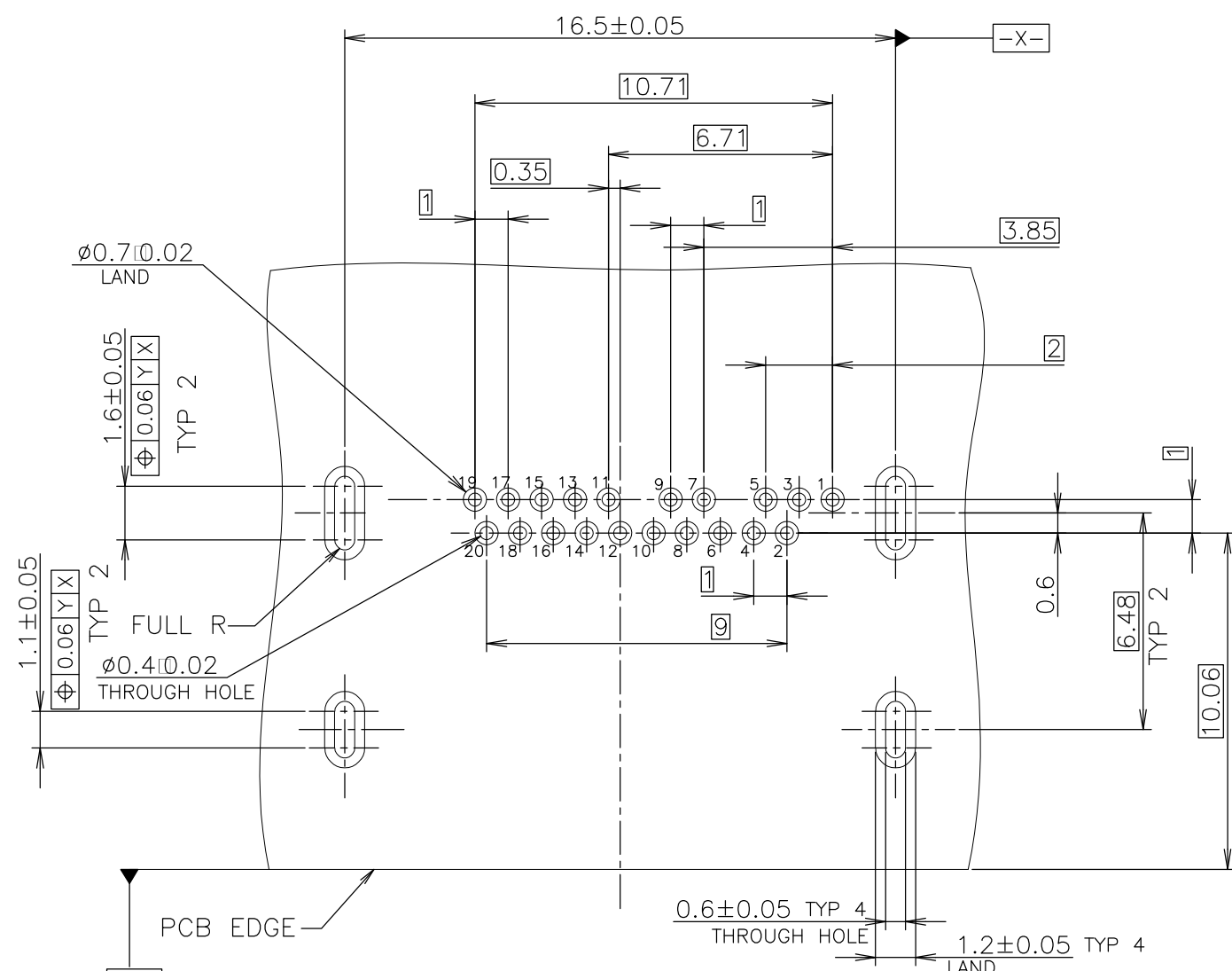
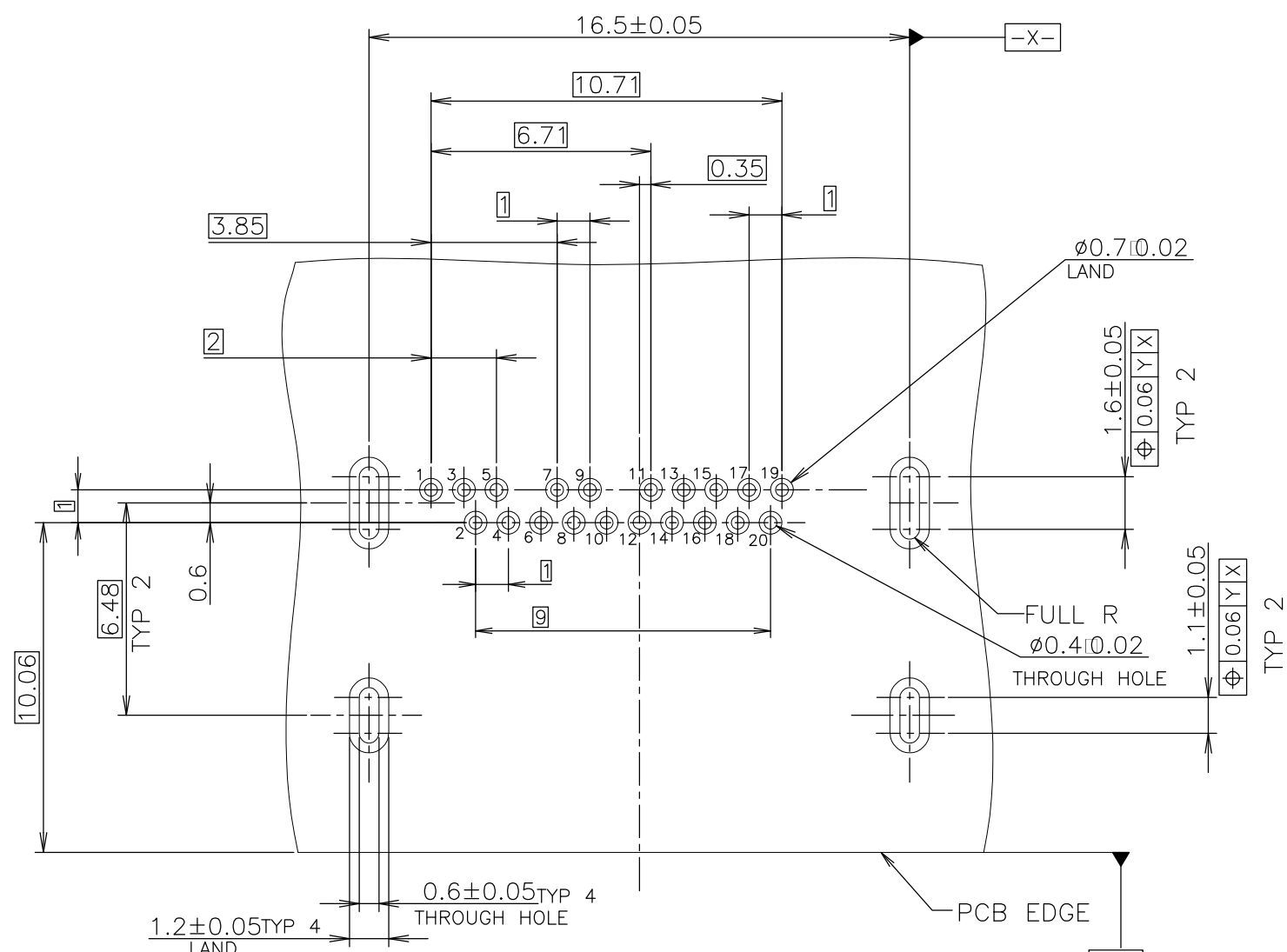
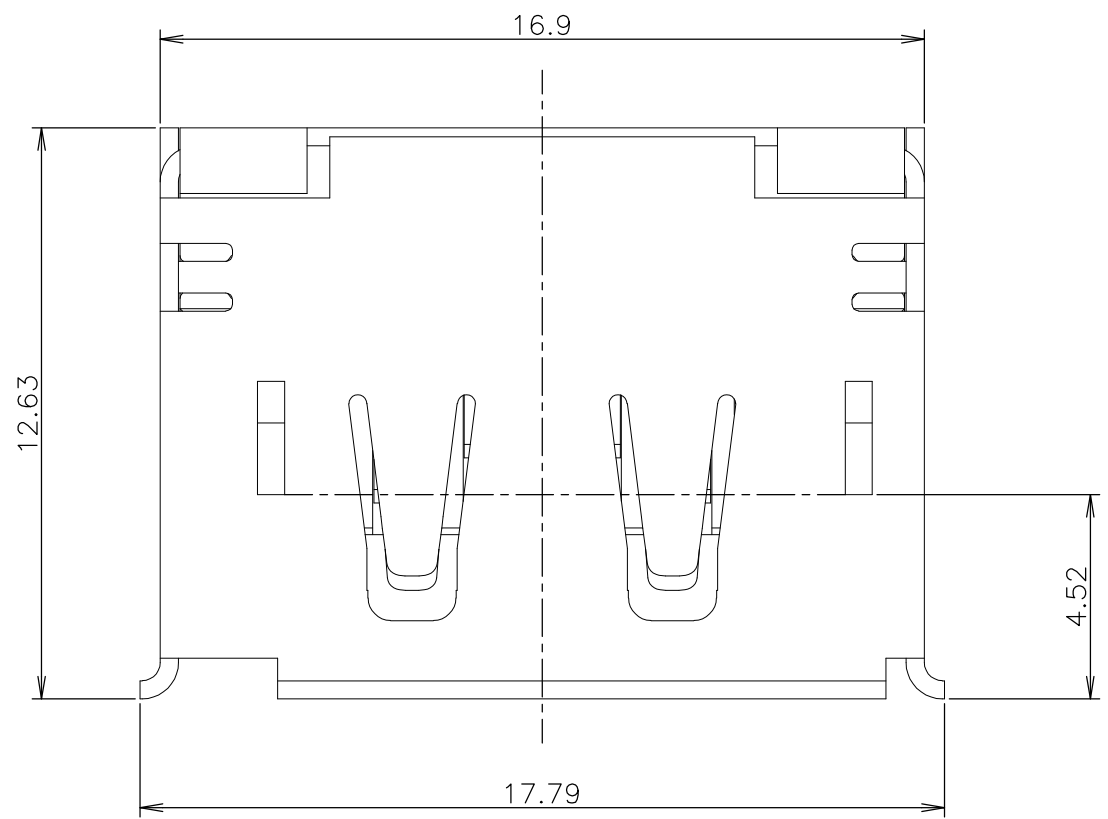


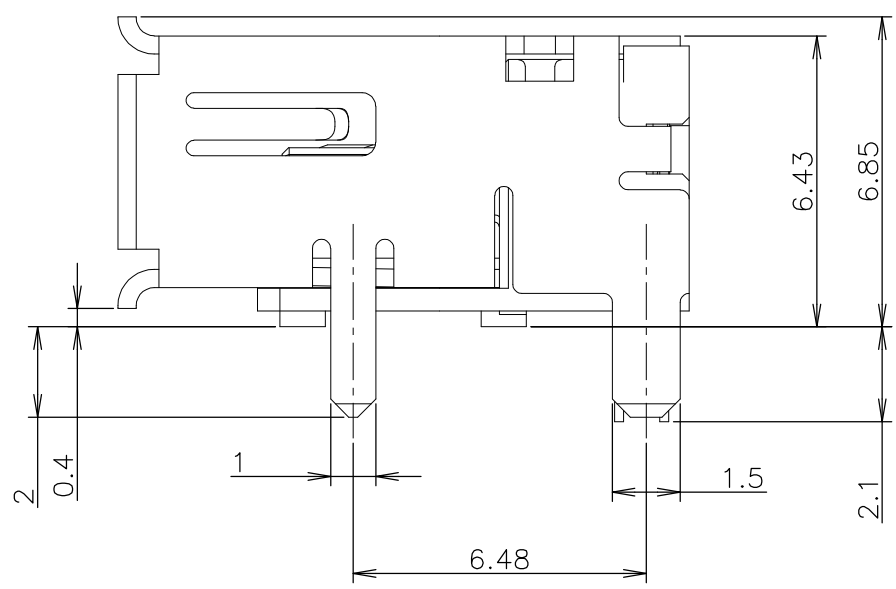
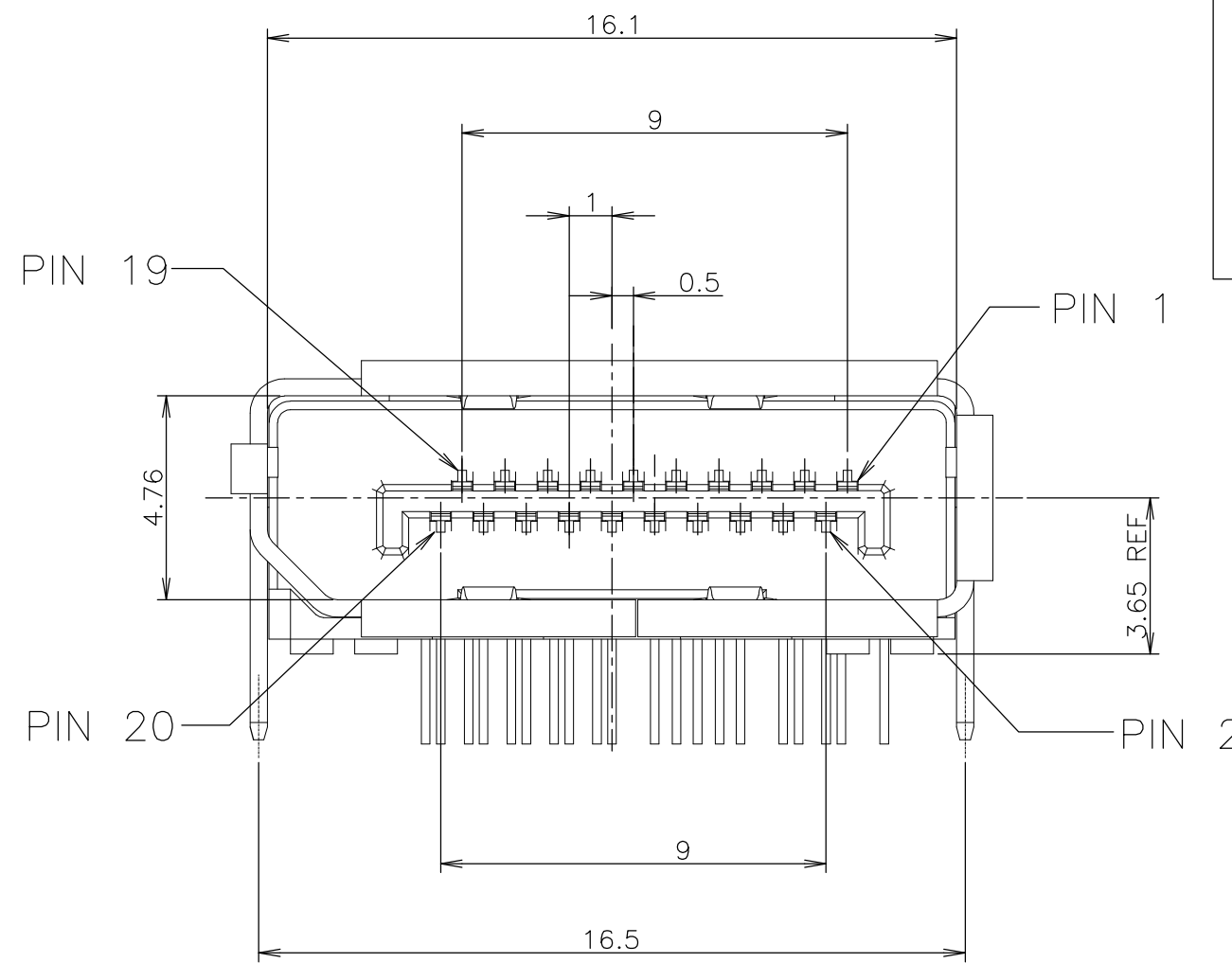
THIS DRAWING IS UNPUBLISHED. RELEASED FOR PUBLICATION JAN , 2008.
 © COPYRIGHT 2008 BY TYCO ELECTRONICS CORPORATION. ALL RIGHTS RESERVED.

LOC		DIST		REVISIONS			DATE	DWN	APVD
P	LTR	DESCRIPTION							
	A2	REVISED				07JUL08	Y.H	K.I	



RECOMMENDED PCB LAYOUT (THICKNESS=1.6±0.1) BOTTOM VIEW

RECOMMENDED PCB LAYOUT (THICKNESS=1.6±0.1) TOP VIEW



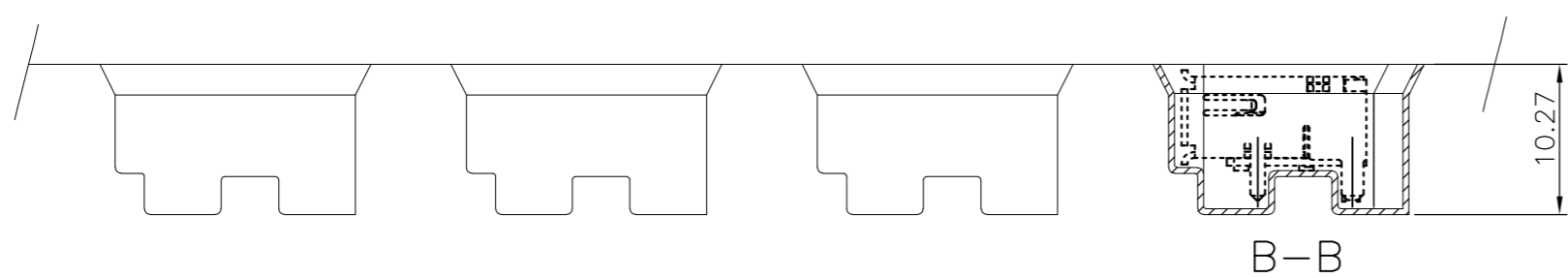
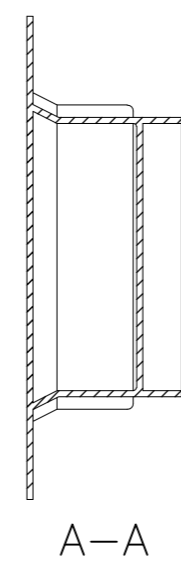
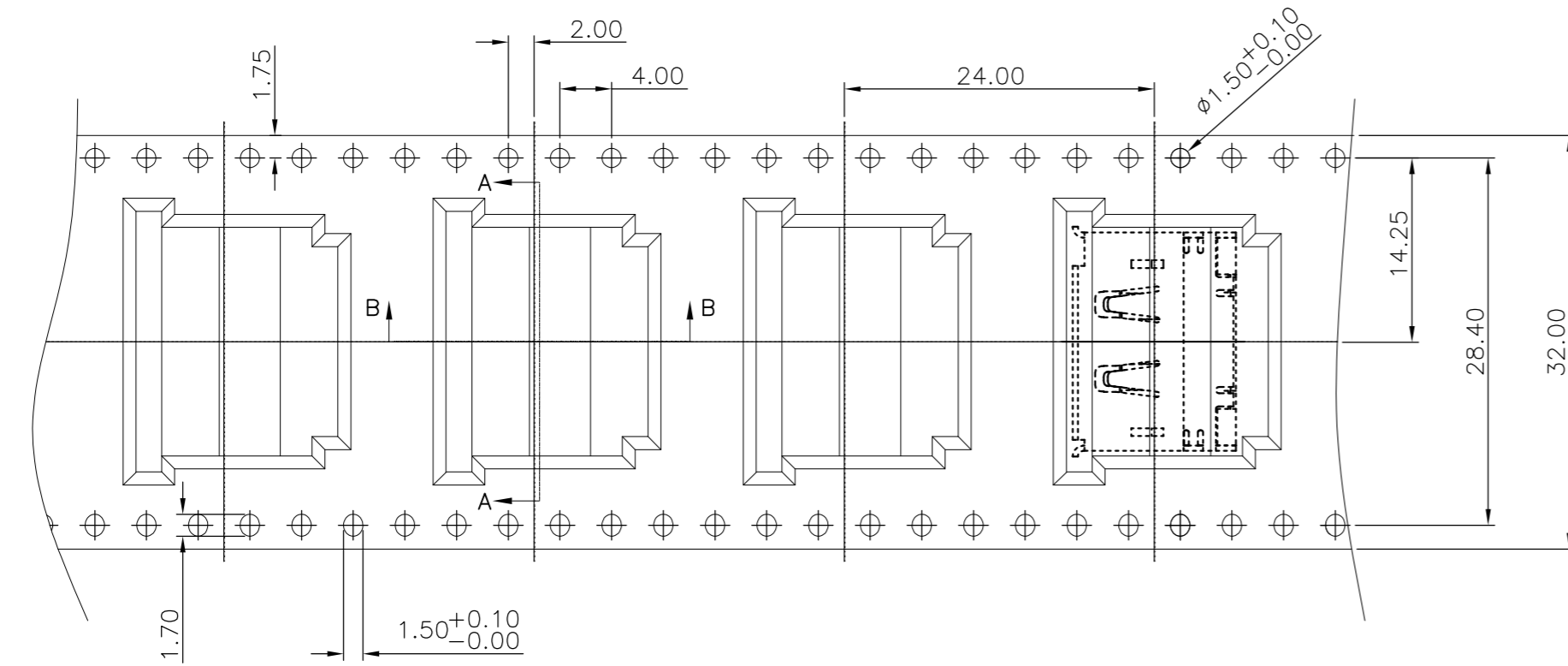
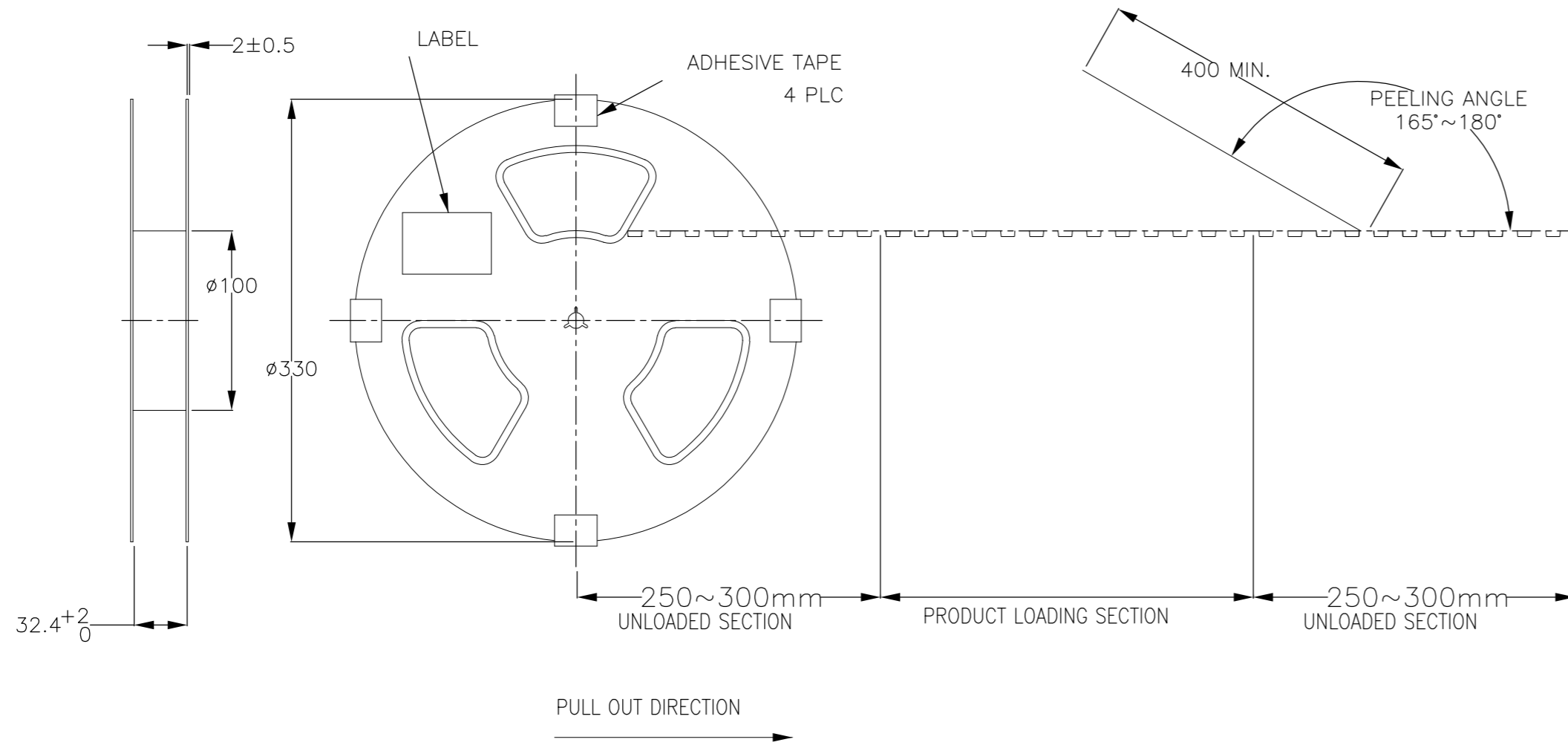
- 1 MATERIAL:
 HOUSING: HIGH TEMPERATURE THERMAL PLASTIC, BLACK, UL94V-0.
 CONTACT: COPPER ALLOY.
 SHELL: COPPER ALLOY.
- 2 FINISH:
 CONTACT:
 CONTACT AREA: 0.76 MINIMUM MICRON GOLD PLATING
 SOLDER TAIL AREA: 2.54 MINIMUM MICRON TIN PLATING.
 UNDER PLATING: 1.27 MINIMUM MICRON NICKEL PLATING OVERALL.
 SHELL: NICKEL PLATING OVERALL.

P/N: 2040451-1; AS SHOWN

THIS DRAWING IS A CONTROLLED DOCUMENT.		DWN Y.HIRATA 19MAR2008	Tyco Electronics Corporation Kawasaki, Japan	
DIMENSIONS: 單位: 毫米 mm		CHK T.KUSUHARA 19MAR2008	Tyco Electronics	
TOLERANCES UNLESS OTHERWISE SPECIFIED: 一般公差		APVD T.KUSUHARA 19MAR2008	RECEPTACLE ASSEMBLY DISPLAYPORT RA TH 2ROW TINE	
0 PLC ± 0.3 1 PLC ± 0.3 2 PLC ± 0.3 3 PLC ± 0.3 4 PLC ± 0.3 ANGLES ± 2'		PRODUCT SPEC 製品規格 108-78515	SIZE A2	CAGE CODE 00779
MATERIAL 材料		FINISH 仕上	DRAWING NO 番号 C=2040451	RESTRICTED TO —
CUSTOMER DRAWING		WEIGHT	SCALE 尺度 6:1	SHEET 1 of 2 REV A2

THIS DRAWING IS UNPUBLISHED. RELEASED FOR PUBLICATION JAN , 2008.
 © COPYRIGHT 2008 BY TYCO ELECTRONICS CORPORATION. ALL RIGHTS RESERVED.

LOC		DIST		REVISIONS			
J		-		変更	DATE	DWN	APVD
P	LTR	DESCRIPTION			DATE	DWN	APVD
-	-	SEE SHEET 1			-	-	-



- 1 PRIMARY PACKING: 250PCS /REEL;
- 2 PEELING RESISTANCE: 0.1~0.7N (10.2gf~71.4gf).
- 3 PEELING SPEED: 300mm/minutes.
- 4 CARRIER TAPES, COVER TAPES, REELS AND TAPED COMPONENTS MUST MEET THE REQUIREMENTS DEFINED PER EIA-481-B.

THIS DRAWING IS A CONTROLLED DOCUMENT.		DWN	Tyco Electronics Corporation Kawasaki, Japan		
DIMENSIONS: 単位: 概 mm		CHK	NAME 名称		
TOLERANCES UNLESS OTHERWISE SPECIFIED: 一般公差		APVD	RECEPTACLE ASSEMBLY 製品規格 DISPLAYPORT RA TH 2ROW TINE		
0 PLC ± 0.3		PRODUCT SPEC 製品規格		SIZE	RESTRICTED TO
1 PLC ± 0.3		APPLICATION SPEC 取付適用規格		CAGE CODE	—
2 PLC ± 0.3		WEIGHT		DRAWING NO 番号	—
3 PLC ± 0.3		CUSTOMER DRAWING		SCALE	REV
4 PLC ± 0.3		SCALE 尺度		00779	A2
ANGLES ± 2°		SHEET		2 of 2	—
FINISH 仕上		REVISIONS		—	—